

LEDinspect SINGLE CHARGE PAD



Wire-Free Technology

Simply place a compatible worklight on the charging pad to easily hold and recharge



Flexible mounting options

With strong magnets and screw holes built-in, you can easily attach the charging pad to toolboxes, workbenches and more



Built to last

IK08 and IP20 rated to survive the rigors of the professional workshop



The easiest way to recharge inspection lights

Removing the need to find and connect the correct charging cable, OSRAM's Wire-Free charging pad securely stores and recharges a pair of suitable inspection lamps, so they are ready when you are. This innovative design not only enhances convenience but also supports an uninterrupted workflow.

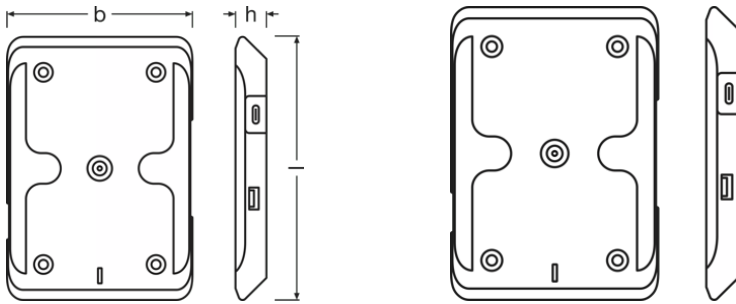
Product datasheet

Technical data

Product information

Order reference	LEDIL423
Application (Category and Product specific)	LED inspection lights

Dimensions & weight



Product weight	160.00 g
Length	202 mm
Width	18.0 mm
Height	150 mm

Lifespan

Guarantee	2 years
-----------	---------

Capabilities

Technology	LED
------------	-----

Certificates & standards

Standards	CE/EMC/MSDS/ROHS
-----------	------------------

Country specific categorizations

Order reference	LEDIL423
-----------------	----------

Environmental information

Information according Art. 33 of EU Regulation (EC) 1907/2006 (REACH)	
Date of Declaration	13-05-2024
Primary Article Identifier	4062172393164

Product datasheet


Candidate List Substance 1	Lead
CAS No. of substance 1	7439-92-1
Safe Use Instruction	The identification of the Candidate List substance is sufficient to allow safe use of the article.
Declaration No. in SCIP database	9129cbf7-6ef2-4329-a420-09abcf2c25ad

Logistical Data

Product code	Product description	Packaging unit (Pieces/Unit)	Dimensions (length x width x height)	Volume	Gross weight
4062172393164	CHARGING PAD	Folding carton box 1	145 mm x 25 mm x 160 mm	0.58 dm ³	430.00 g
4062172393171	CHARGING PAD	Shipping carton box 6	340 mm x 160 mm x 101 mm	5.49 dm ³	4580.00 g

The mentioned product code describes the smallest quantity unit which can be ordered. One shipping unit can contain one or more single products. When placing an order, for the quantity please enter single or multiples of a shipping unit.

Download Data

File
 User instruction LEDinspect SINGLE CHARGE PAD DUAL CHARGE PAD

Application advice

For more detailed application information and graphics please see product datasheet.

Disclaimer

Subject to change without notice. Errors and omission excepted. Always make sure to use the most recent release.

OSRAM