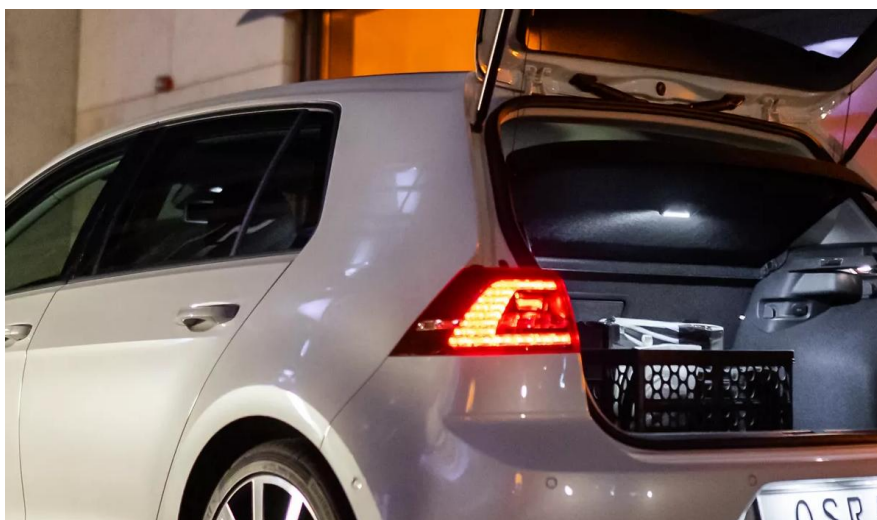


LEDambient Trunk Light



Universal LED trunk light with acceleration and brightness sensor

For higher visibility in everyday situations



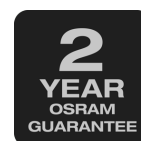
Multi-function 2 in 1

Applicable as trunk and torch light



Easy car side fixation via magnet and additional mounting plate

Strong magnet for a quick attachment



2 years OSRAM guarantee¹⁾¹⁾For precise conditions refer to:

www.osram.com/am-guarantee

Powerful performance and exceptionally long service life

Product datasheet



Precisely illuminating vehicle interiors

Introducing the universal LEDambient Trunk Light, the perfect companion for your car's storage space. Packed with advanced features and designed to enhance your convenience, this versatile light will transform the way you use the trunk. Featuring an acceleration and brightness sensor, the trunk light boasts an automatic light function that activates as soon as you open the car trunk. Our light illuminates your trunk instantly, making it effortless to find what you need. With both automatic and manual functionality, you have complete control over the lighting. With a color temperature of up to 6,000K, the trunk light provides a bright and clear illumination, allowing you to see every detail in your trunk. Very practical: With its 2 in 1 multifunction, the light can be used as an inspection lamp and as a torch light. In addition, equipped with a rechargeable 1500mAh battery, the trunk light offers long-lasting performance. The included USB-C cable allows for convenient charging, ensuring you're always prepared. Thanks to the easy car side fixation via the magnet and additional mounting plate, an easy installation is included. Simply attach the light to your car's interior using the strong magnet or the included mounting plate, and you're ready to go. The powerful magnet ensures a secure attachment, so you never have to worry about the light falling or moving while you're on the road. Trust in the quality and durability of the universal LED trunk light - OSRAM provides a 2-year guarantee¹⁾. ¹⁾For precise conditions refer to: www.osram.com/am-guarantee

Product datasheet

Technical data

Product information

Order reference	LEDINT106
-----------------	-----------

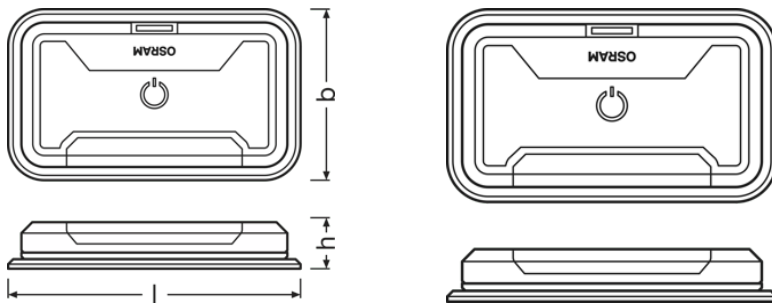
Electrical data

Nominal wattage	30.00 W
Nominal voltage	3.7 V

Photometrical data

Color temperature	6000 K
Luminous flux	40 lm

Dimensions & weight



Product weight	100.00 g
Length	108.0 mm
Width	17.5 mm
Height	63.0 mm

Lifespan

Lifespan Tc	1000 h
Guarantee	2 years

Certificates & standards

Standards	CE
-----------	----

Country specific categorizations

Order reference	LEDINT106
-----------------	-----------

Product datasheet

Environmental information




Information according Art. 33 of EU Regulation (EC) 1907/2006 (REACH)	
Date of Declaration	07-03-2024
Primary Article Identifier	4062172240062
Candidate List Substance 1	No declarable substances contained
Declaration No. in SCIP database	No declarable substances contained

Logistical Data

Product code	Product description	Packaging unit (Pieces/Unit)	Dimensions (length x width x height)	Volume	Gross weight
4062172240062	LEDambient Trunk Light	Folding carton box 1	65 mm x 19 mm x 137 mm	0.17 dm ³	141.00 g
4062172240079	LEDambient Trunk Light	Shipping carton box 10	235 mm x 114 mm x 107 mm	2.87 dm ³	1600.00 g

The mentioned product code describes the smallest quantity unit which can be ordered. One shipping unit can contain one or more single products. When placing an order, for the quantity please enter single or multiples of a shipping unit.

Download Data

File	
	User instruction LEDambient TRUNK LIGHT
	Movie application LEDambient Trunk Light LEDINT106 Produkt Video DE
	Movie application LEDambient Trunk Light LEDINT106 Product Video IT

Safety advice

For detailed application information, please refer to the product data sheet and the user instruction

Application advice

For more detailed application information and graphics please see product datasheet.

Disclaimer

Subject to change without notice. Errors and omission excepted. Always make sure to use the most recent release.

OSRAM