

# LEDinspect WEARABLE NECKLIGHT



### Detachable Torches

High flexibility - can be placed around the neck, on the head, in the hand or on a magnetic surface



### Up to 265 lm (high) & 130 lm (low)

Two light functions: Up to 265 lm ( high) and up to 130 lm ( low)



### Approx. 1.5 hours charging time

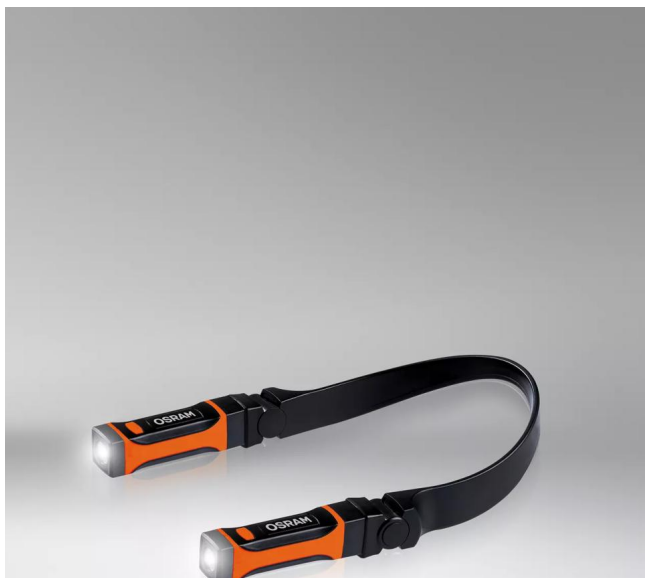
With a charging time of only approx. 1.5 hours, this OSRAM light is quickly ready for use again



### 2-year OSRAM Guarantee\*

Systematic quality assurance measures underpin the premium workmanship and functionality of our products. Innovative technology and excellent quality really pay dividends for our customers.

## Product datasheet



### Light is versatile

This rechargeable neck light with two individually detachable torches from OSRAM is perfect for professional and private use. With two light functions up to 265lm (high), 130lm (low) and an adjustable 90 degree angle, this offers different setting options for a variety of tasks. The LEDinspect Wearable Neck Light is particularly impressive with its great flexibility - it can be used around the neck, on the head, in the hand or on a magnetic surface. The rechargeable battery allows up to 3 hours of operation at high power or up to 4.5 hours at low power and with a charging time of only about 1.5 hours, this OSRAM lamp is also quickly ready for use again. A USB Micro B charging cable with two connections for the individual lamps to charge the lithium battery is included. In accordance with protection class IP54, this lamp has protection against the ingress of dust particles and against splashing water and has been tested for impact resistance in accordance with IK07. With a weight of only 115g and the flexible design, the product is easy to store and transport and is therefore ideal as a light for handicraft work, craft activities, car repairs and in everyday life. OSRAM also provides a 2-year guarantee\* \*For precise conditions please refer to: [www.osram.com/am-guarantee](http://www.osram.com/am-guarantee)

# Product datasheet

## Technical data

### Product information

|   |                       |
|---|-----------------------|
| Order reference                             | LEDIL413              |
| Application (Category and Product specific) | LED inspection lights |

### Electrical data

|                 |       |
|-----------------|-------|
| Nominal voltage | 3.7 V |
|-----------------|-------|

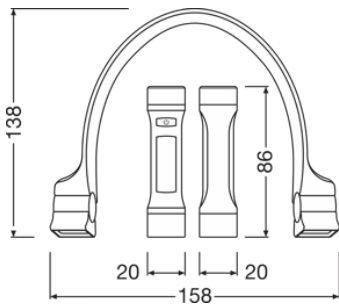
### Photometrical data

|                   |        |
|-------------------|--------|
| Color temperature | 6500 K |
| Luminous flux     | 265 lm |
| Light color LED   | White  |

### LED module information

|                           |     |
|---------------------------|-----|
| Number of LEDs per module | 1+1 |
|---------------------------|-----|

### Dimensions & weight



|                |          |
|----------------|----------|
| Product weight | 115.00 g |
| Length         | 224.0 mm |
| Width          | 39.0 mm  |
| Height         | 150 mm   |

### Colors & materials

|            |                |
|------------|----------------|
| Base color | Black / Orange |
|------------|----------------|

### Lifespan

|           |         |
|-----------|---------|
| Guarantee | 2 years |
|-----------|---------|

## Product datasheet

### Additional product data

|                              |   |
|------------------------------|---|
| Type of Battery              | Rechargeable  |
| Number of included batteries | 1   |
| Battery                      | High-quality lithium-ion battery 2x3.7V Li-Ion 500mAh |

### Capabilities

|            |     |
|------------|-----|
| Technology | LED |
|------------|-----|

### Certificates & standards

|           |                       |
|-----------|-----------------------|
| Standards | CE/EMC/MSDS/ROHS/UKCA |
| IK Class  | IK07                  |

### Country specific categorizations

|                 |          |
|-----------------|----------|
| Order reference | LEDIL413 |
|-----------------|----------|

### Environmental information

| Information according Art. 33 of EU Regulation (EC) 1907/2006 (REACH) |  |
|---|--|
| Date of Declaration   | 08-03-2024   |
| Primary Article Identifier  | 4052899630987  |
| Candidate List Substance 1  | Lead   |
| CAS No. of substance 1  | 7439-92-1  |
| Safe Use Instruction  | The identification of the Candidate List substance is sufficient to allow safe use of the article. |
| Declaration No. in SCIP database                                      | 9b7cd37b-d0e8-4a84-abf2-d10e9bfc7dfe   |

### Logistical Data

| Product code  | Product description | Packaging unit (Pieces/Unit) | Dimensions (length x width x height) | Volume                | Gross weight |
|---------------|---------------------|------------------------------|--------------------------------------|-----------------------|--------------|
| 4052899630987 | INSPECTION LAMP     | Folding carton box<br>1      | 178 mm x 45 mm x<br>163 mm           | 1.31 dm <sup>3</sup>  | 197.00 g     |
| 4052899631007 | INSPECTION LAMP     | Shipping carton box<br>6     | 344 mm x 158 mm x<br>211 mm          | 11.47 dm <sup>3</sup> | 1429.00 g    |
| 4062172315012 | INSPECTION LAMP     | Shipping carton box<br>12    | 362 mm x 338 mm x<br>242 mm          | 29.61 dm <sup>3</sup> | 3448.00 g    |

The mentioned product code describes the smallest quantity unit which can be ordered. One shipping unit can contain one or more single products. When placing an order, for the quantity please enter single or multiples of a shipping unit.

## Product datasheet

### Legal advice

Application advice: For more detailed application information and graphics please see product datasheet and the user instruction.

\*for precise conditions please refer to:

[www.osram.com/am-guarantee](http://www.osram.com/am-guarantee)

### Application advice

For more detailed application information and graphics please see product datasheet.

### Disclaimer

Subject to change without notice. Errors and omission excepted. Always make sure to use the most recent release.

The OSRAM logo is displayed in a bold, orange, sans-serif font.