

## Halogen (75-130 V) with Reflector

Offering a broad portfolio of high quality reflector halogen lamps used in the stage and studio markets



### Areas of application

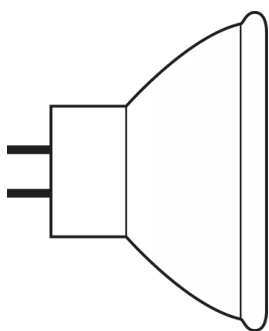
- Stage & Theatre
- Studio, TV, & Film
- Professional Photography
- Club & Disco

### Product features and benefits

- Robust construction for reliable, lasting performance
- Consistent color over the life of the lamps
- Instant on and nearly constant luminous flux over the life of the lamp
- Broad product portfolio supporting the stage and studio markets
- Dimmable with traditional amber shift

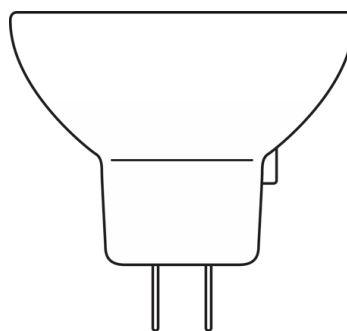


## Product family datasheet



---

Halogen Lamp with reflector MR16



---

HALOGEN LAMP WITH REFLECTOR 64255

## Product family datasheet

### Technical data

Product description	General Product Information	Electrical Data		Photometric Data
	ANSI code	Nominal wattage	Nominal voltage	Nominal luminous flux
93506 250 W 120 V	ENH	250 W	120 V	340 lm
93520 300 W 82 V <sup>1)</sup>	FHS	300 W	82.0 V	650 lm
93518 300 W 120 V	ELH	300 W	120 V	525 lm

Product description	Color temperature	Color rendering index Ra	Focal length	Physical Attributes & Dimensions
				Lamp base
93506 250 W 120 V	3150 K	100	152.5 mm	GY5.3
93520 300 W 82 V <sup>1)</sup>		100	152.5 mm	GX5.3
93518 300 W 120 V		100	152.5 mm	GY5.3

Product description	Operating Conditions	Lifetime Data	Environmental & Regulatory Information Information according Art. 33 of EU Regulation (EC) 1907/2006 (REACH)	
	Burning position	Nominal lifetime	Primary article identifier	Declaration no. in SCIP database
93506 250 W 120 V	s90	175 hr	4050300349930	No declarable substances contained
93520 300 W 82 V <sup>1)</sup>	s90	70 hr	4050300350196	No declarable substances contained
93518 300 W 120 V	s90	35 hr	4050300350059	No declarable substances contained

Product description	Candidate list substance 1
93506 250 W 120 V	No declarable substances contained
93520 300 W 82 V <sup>1)</sup>	No declarable substances contained
93518 300 W 120 V	No declarable substances contained

<sup>1)</sup> Available on request

## Product family datasheet

---

### Safety advice

To prevent personal injury or damage to property, halogen lamps may only be operated in suitable luminaires designed with suitable mechanisms (protective shields, grids, etc.) to ensure that in the event of a lamp bursting no parts/shards can escape and that during operation no ultraviolet radiation can escape. There must also be a warning sign to indicate that the lamps give off high levels of heat. Detailed information is available on request.

---

### Application advice

For more detailed application information and graphics please see product datasheet.

---

### Disclaimer

Subject to change without notice. Errors and omission excepted. Always make sure to use the most recent release.