

HBO R 103 W/45

HBO Mercury short-arc lamps with reflector 100 W | Mercury short-arc lamps with reflector 100 W

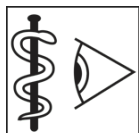


Product family benefits

- High radiance
- High radiant power in the UV and the visible range

Product family features

- Multi-line spectrum



Product datasheet

Technical data

Electrical data

| | |
|-----------------|----------|
| Type of current | DC |
| Rated wattage | 100.00 W |
| Nominal wattage | 100.00 W |

Photometrical data

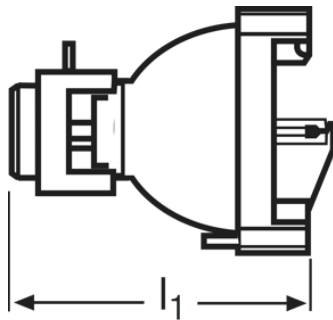
| | |
|-----------------------------------|---------------------------|
| Radiated power 315...400 nm (UVA) | 3.8 / 5.0 W ¹⁾ |
|-----------------------------------|---------------------------|

¹⁾ Aperture 3 mm round / Aperture 5 mm round

Light technical data

| | |
|--------------|---------|
| Focal length | 45.0 mm |
|--------------|---------|

Dimensions & weight



| | |
|---|----------|
| Diameter | 68.0 mm |
| Length with base excl. base pins/connection | 77.00 mm |

Lifespan

| | |
|----------|-------|
| Lifespan | 300 h |
|----------|-------|

Additional product data

| | |
|-------------------------------------|-----|
| Base anode (standard designation) | Pin |
| Base cathode (standard designation) | Pin |

Capabilities

| | |
|------------------|-------|
| Burning position | p20 |
| Application | Other |

Product datasheet

Environmental information

| Information according Art. 33 of EU Regulation (EC) 1907/2006 (REACH) | |
|---|--|
| Date of Declaration | 05-03-2024 |
| Primary Article Identifier | 4050300405957 |
| Candidate List Substance 1 | Lead |
| CAS No. of substance 1 | 7439-92-1 |
| Safe Use Instruction | The identification of the Candidate List substance is sufficient to allow safe use of the article. |
| Declaration No. in SCIP database | cce3d02b-c5cd-4be4-8e72-a79d159780b6 |

Country specific information

| Product code | METEL code | SEG-No. | STK-Number | UK Org |
|---------------|--------------|---------|------------|--------|
| 4050300405957 | OSRHBOR10345 | - | - | - |
| 4050300405957 | OSRHBOR10345 | - | - | - |

Product datasheet

Safety advice

Because of their high luminance, UV radiation and high internal pressure (when hot) HBO lamps may only be operated in enclosed lamp casings specially constructed for the purpose. Mercury is released if the lamp breaks. Special safety precautions must be taken. More information is available on request or can be found in the leaflet included with the lamp or in the operating instructions.

Logistical Data

| Product code | Product description | Packaging unit (Pieces/Unit) | Dimensions (length x width x height) | Volume | Gross weight |
|---------------|---------------------|------------------------------|--------------------------------------|----------------------|--------------|
| 4050300405957 | HBO R 103 W/45 | Folding carton box 1 | 87 mm x 87 mm x 103 mm | 0.78 dm ³ | 183.00 g |
| 4050300147093 | HBO R 103 W/45 | Shipping carton box 2 | 186 mm x 96 mm x 115 mm | 2.05 dm ³ | 366.00 g |

The mentioned product code describes the smallest quantity unit which can be ordered. One shipping unit can contain one or more single products. When placing an order, for the quantity please enter single or multiples of a shipping unit.

References / Links

Further technical information on HBO lamps and information for manufacturers of operating equipment can be requested directly from OSRAM.

Disclaimer

Subject to change without notice. Errors and omission excepted. Always make sure to use the most recent release.
