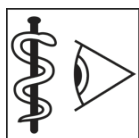


## Halogen lamps with reflector MR11

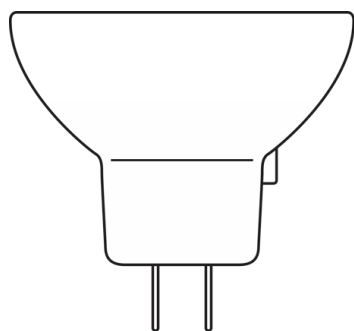


### Product family features

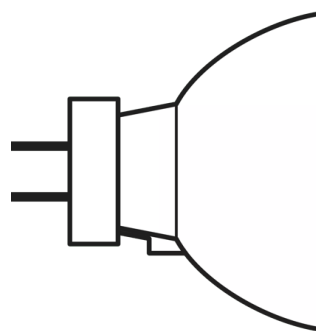
- Xenon instead of krypton as the filler gas (XENOPHOT HLX versions)
- Luminous flux up to 10 % higher with same power consumption (XENOPHOT HLX versions)



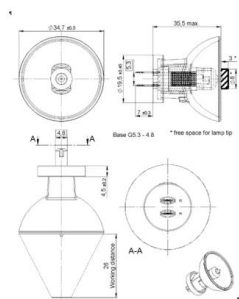
## Product family datasheet



487042\_HALOGEN LAMP WITH REFLECTOR 64255



383892\_Halogen Lamp with reflector MR11



64617S 75W 12V

## Product family datasheet

### Technical data

Product description	Product information	Electrical data		Light technical data	Dimensions & weight		Lifespan
	Order reference	Nominal voltage	Nominal wattage	Focal length	Diameter	Length	Lifespan
64255 20 W 8 V	64255 20W 8V G4	8 V	20.00 W	26.0 mm	35.0 mm	32.0 mm	50 h
64617 75 W 12 V	64617 M117 75W	12.0 V	75.00 W	26.0 mm	35.0 mm	35.5 mm	25 h
64617 S 75 W 12 V <sup>1)</sup>	64617 S	12.0 V	75.00 W	26.0 mm	35.0 mm	35.5 mm	25 h
64624 100 W 12 V	64624	12.0 V	100.00 W	26.0 mm	35.0 mm	35.5 mm	25 h

Product description	Additional product data			Capabilities
	Coating	Base (standard designation)	Minimum diameter of lamp enclosure	Cooling
64255 20 W 8 V	True	G4	35.0 mm	Forced
64617 75 W 12 V	Dichroic	G5.3	35.0 mm	Forced
64617 S 75 W 12 V <sup>1)</sup>	Dichroic	G5.3	35.0 mm	Forced
64624 100 W 12 V	Dichroic	G5.3	35.0 mm	Forced

Product description	Burning position	Environmental information Information according Art. 33 of EU Regulation (EC) 1907/2006 (REACH)		
		Date of Declaration	Primary Article Identifier	Candidate List Substance 1
64255 20 W 8 V	Other	29-02-2024	4050300006833   4008321074218	No declarable substances contained
64617 75 W 12 V	p90/p15	29-02-2024	4050300231211	No declarable substances contained
64617 S 75 W 12 V <sup>1)</sup>	p90/p15	29-02-2024	4050300461106	No declarable substances contained
64624 100 W 12 V	p90/p15	29-02-2024	4050300013916	No declarable substances contained

Product description	Declaration No. in SCIP database	Country specific categorizations
		LIF
64255 20 W 8 V	No declarable substances contained	
64617 75 W 12 V	No declarable substances contained	M/117
64617 S 75 W 12 V <sup>1)</sup>	No declarable substances contained	
64624 100 W 12 V	No declarable substances contained	

<sup>1)</sup> Spot adjustment

## Product family datasheet

---

### Application advice

For more detailed application information and graphics please see product datasheet.

---

### References / Links

For further technical information please refer to the following OSRAM brochure:

“Technology and applications, Low-voltage tungsten-halogen lamps”

“Halogen lamps, low and medium voltage for entertainment, technical and medical applications” cross reference list

---

### Disclaimer

Subject to change without notice. Errors and omission excepted. Always make sure to use the most recent release.